



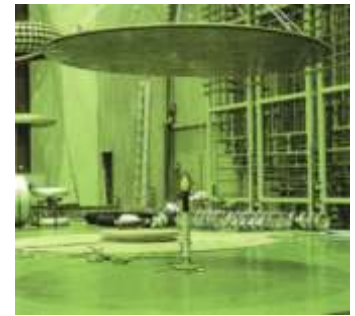
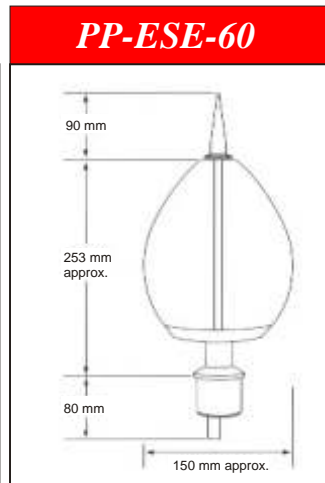
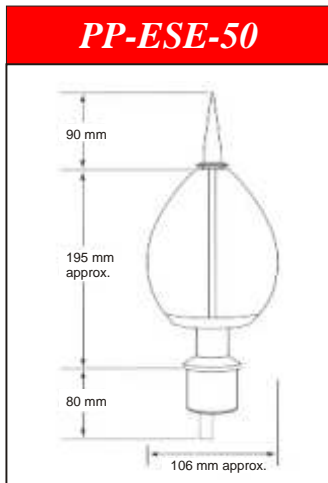
## The (ESE) Early Streamer Emission Terminal

The PP-ESE has two models in its range of Early Streamer Emission Air Terminals

Both terminals have been tested to NFC 17-102.

- PP-ESE-50
- PP-ESE-50-GI
- PP-ESE-60
- PP-ESE-60-GI
- Stainless Steel option

GI model : For direct mounting to 2" diameter G.I pipe



### Protection Performance

The Protection radius (Rp) of the PP-ESE terminal is calculated using the following formula as defined by the French National Standard NFC 17-102 (July 1995).

$$R_p = \frac{h(2D-h) + T(2D+T)}{2h} \text{ for } 5m \text{ where:}$$

T as established during the test.

$$PP-ESE-50 = T(\mu s) 50$$

$$PP-ESE-60 = T(\mu s) 60$$

h = actual height of PP-ESE terminal above the area to be protected (m).

D in (m) depends on the selected level of Protection (specified in annex B of NFC 17-102)

D = 20m for protection level 1 (High)

D = 45m for protection level 2 (Medium)

D = 60m for protection level 2 (Standard)

### PROTECTION RADIUS (M) - (Rp)

| h = height of ESE terminal above area to be protected (m) | 2  | 4  | 5   | 6   | 10  | 15  | 20  | 45  | 60  |
|---|----|----|-----|-----|-----|-----|-----|-----|-----|
| Protection level-1 (High protection)                      |    |    |     |     |     |     |     |     |     |
| PP-ESE-50   | 28 | 55 | 68  | 69  | 69  | 70  | 70  | -   | -   |
| PP-ESE-60   | 32 | 64 | 79  | 79  | 79  | 80  | 80  | -   | -   |
| Protection level-2 (Medium protection)                    |    |    |     |     |     |     |     |     |     |
| PP-ESE-50   | 35 | 69 | 86  | 87  | 88  | 90  | 92  | 95  | -   |
| PP-ESE-60   | 40 | 78 | 97  | 97  | 99  | 101 | 102 | 105 | -   |
| Protection level-3 (Standard protection)                  |    |    |     |     |     |     |     |     |     |
| PP-ESE-50   | 38 | 76 | 95  | 96  | 98  | 100 | 102 | 110 | 110 |
| PP-ESE-60   | 44 | 87 | 107 | 107 | 109 | 111 | 113 | 120 | 120 |

Note: PP-ESE is Precision Power Early Streamer Emission

All specifications subject to change without notice.

MALAYSIA • THAILAND • SINGAPORE • PHILIPPINES • PAPUA NEW GUINEA • VIETNAM

### Precision Power

-Solutions to Power Problems

- BRISBANE PH: 07-3847 6266  
FAX: 07-3847 6277
- SYDNEY PH: 02-9957 5895  
FAX: 02-9956 8358
- MELBOURNE PH: 03-9328 2500  
FAX: 03-9328 1525

Precision Power Unit 4B, 55 Clarence Street, Coorparoo, Pty. Ltd. Queensland 4151 AUSTRALIA.  
ACN 010 416 243 International TEL: +61-7-3847 6266 FAX: +61-7-3847 6277  
Email Address : precision\_power@bigpond.com.au  
Website : www.precisionpower.com.au



DISTRIBUTED BY:

ISO 9001  
OEC 4846

